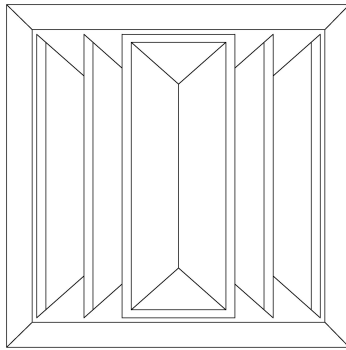


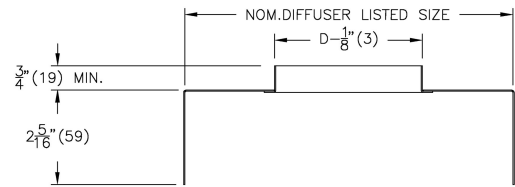
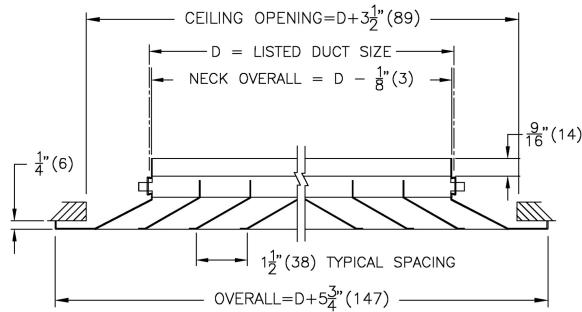
SMD Steel Modular Directional Diffuser

Core Style: 2S 2-Way, Style S for Square Inlet Neck



Border: 1 Flat Frame Surface Mount

Accessory: SR2 2 7/8" Deep Square to Round Adapter



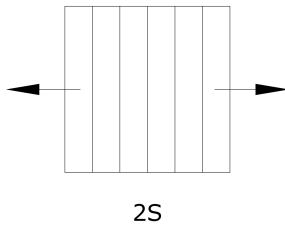
Notes:

- Cores sized in increments of 3" (76) in both directions
- Directional core removable at diffuser face
- Factory tolerance $\pm 1/32"$ (1)

Material:

- Steel Construction
- SR Adapter: Steel
- Damper: Steel

Plan View:



Finish:

- B12: Standard White

PROJECT: ODD STOCK
ENGINEER:
DESCRIPTION: Steel Louvered Directional Diffuser
 SMD//112/12/1/2S//SR2/8//B12

SUBMITTAL NO: 258515-C
CUSTOMER:

SUBMITTAL DATE: 2/3/2021