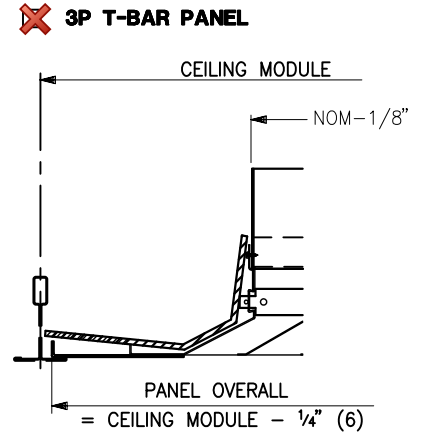
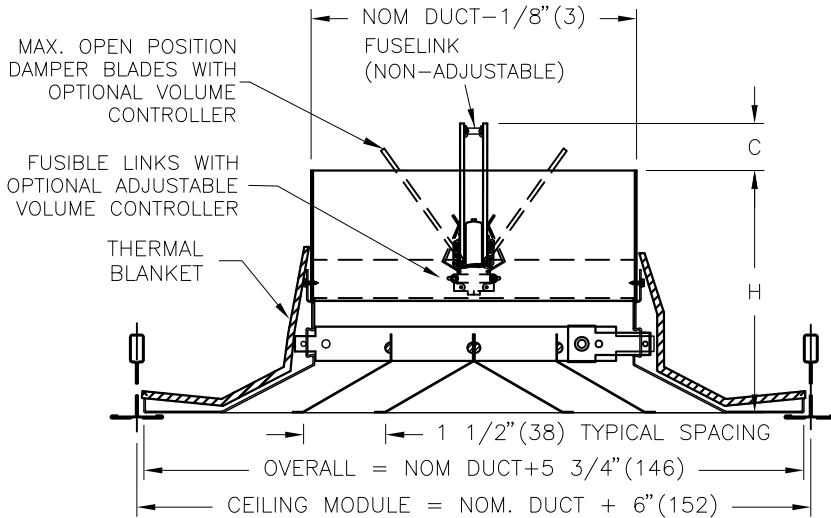


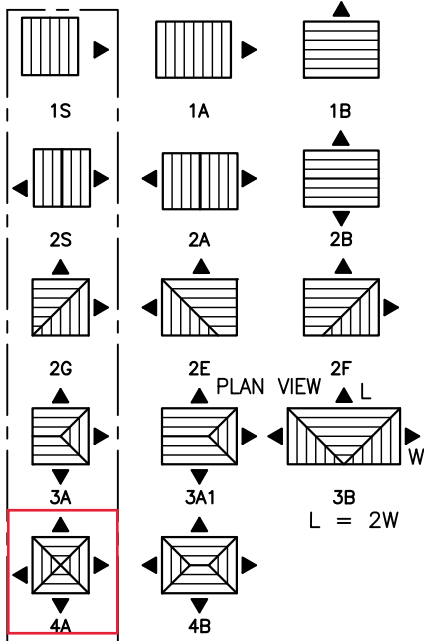
SMD-FR MODULAR FIRE RATED DIFFUSER



AVAILABLE DIFFUSER SIZE

| CEILING MODULE | BORDER STYLE 36 | | 3P T-BAR LAY-IN PANEL OPTION | |
|-----------------|-----------------|--|--|--|
| | SQUARE NECK | ROUND NECK | SQUARE NECK | ROUND NECK |
| 12X12 (305X305) | 6X6 (152X152) | 6 (152) | NA | NA |
| 24X12 (610X305) | 18X6 (457X152) | 6 (152) | NA | NA |
| 24X24 (610X610) | 18X18 (457X457) | 6,8,10,12,14,15 (152,203,254,305,356,381) | 6X6,9X9,12X12,15X15 (152X152,229X229,305X305,381X381) | 6,8,10,12,14,15 (152,203,254,305,356,381) |

AVAILABLE CORE STYLES:



PANEL OPTION AVAILABLE IN SQUARE CORE STYLES ONLY

MATERIAL:

- STEEL CONSTRUCTION
- CEILING RADIATION DAMPER: GALVANIZED STEEL, BUTTERFLY TYPE.
- THERMAL BLANKET: NON ASBESTOS

FINISH:

- B12 WHITE (OPTIONAL FINISHES AVAILABLE)

OPTION:

- ADJUSTABLE VOLUME CONTROLLER (ALLEN KEY ADJUSTABLE)
- 165°F (74°C) FUSIBLE LINK (STANDARD)
- 212°F (100°C) FUSIBLE LINK

NOTE:

- FIRE RATED 3 HOUR.
- UL CLASSIFIED FIRE RATED CEILING DIFFUSER ASSEMBLY. LISTED IN UNDERWRITERS LABORATORIES FIRE RESISTANCE DIRECTORY.
- ULC CLASSIFIED FIRE RATED CEILING DIFFUSER ASSEMBLY. LISTED IN UNDERWRITERS LABORATORIES LIST OF EQUIPMENT AND MATERIALS.
- DIRECTIONAL CORE REMOVABLE AT DIFFUSER FACE
- DUCT: STEEL OR FLEXIBLE DUCT CONNECTIONS (BY OTHERS) AS PER FIRE RATED DESIGN REQUIREMENTS.
- INSTALLATION INSTRUCTIONS: 228792 OR FOR PANEL SEE SUBMITTAL 233667
- FIRE RATED DIFFUSERS ARE TO BE INSTALLED IN FIRE RATED T-BAR APPLICATIONS ONLY.

| INLET | H |
|----------------------|--------------|
| SQ. INLET | 4" (102) |
| ROUND INLET | 6 1/2" (165) |
| SQ. C/W VOL. CONTROL | 4 3/4" (121) |
| RND.C/W VOL. CONTROL | 6 1/2" (165) |

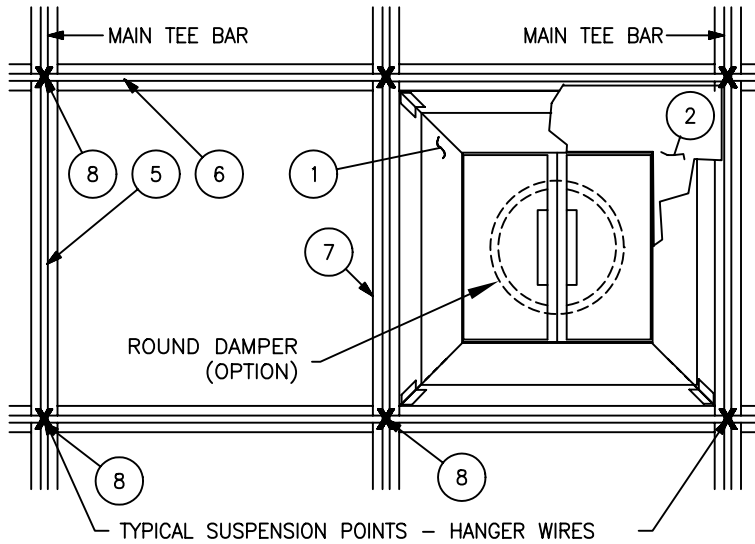
| ROUND NECK | | SQUARE NECK | |
|------------|-------------|---------------------|-------------|
| NOM. DUCT | C | NOM. DUCT | C |
| 6 (152) | 1 (25) | 6 X 6 (152 X 152) | 2 (51) |
| 8 (203) | 2 (51) | 9 X 9 (229 X 229) | 3 1/2 (89) |
| 10 (254) | 3 (76) | 12 X 12 (305 X 305) | 5 (127) |
| 12 (305) | 4 (102) | 15 X 15 (381 X 381) | 6 1/2 (165) |
| 14 (356) | 5 (127) | 18 X 6 (457 X 152) | 2 (51) |
| 15 (381) | 5 1/2 (140) | 18 X 18 (457 X 457) | 8 (203) |



ALL METRIC DIMENSIONS () ARE SOFT CONVERTED. IMPERIAL DIMENSIONS ARE CONVERTED TO METRIC AND ROUNDED TO THE NEAREST MILLIMETER.

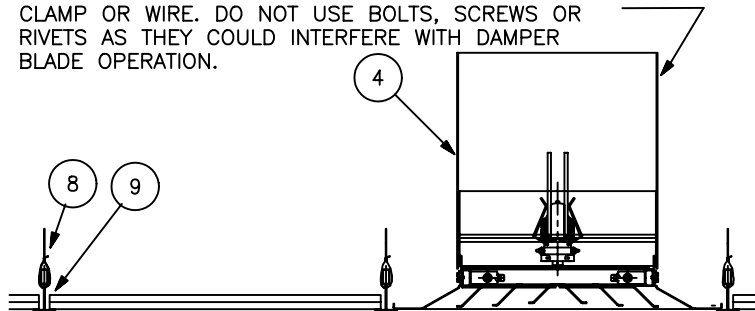
| | | |
|---------------------------------|---|--------------------------------|
| PROJECT: ODD STOCK | PRICE® | |
| ENGINEER: <i>MG</i> | | |
| CUSTOMER: | 228731 | SMD-FR |
| SUBMITTAL DATE: 2/3/2021 | SPEC. SYMBOL: SMD-FR/1/12/3P/4A/24 | 2015/03/31 |
| | | MODULAR DIFFUSER FIRE RATED |

SQ. MODULAR FIRE RATED ASSEMBLY INSTALLATION INSTRUCTIONS



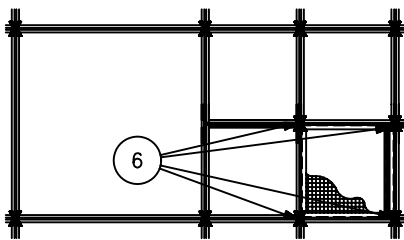
STEP "A" CEILING GRID LAYOUT

NOTE: SECURE FLEXIBLE DUCT WITH APPROVED STEEL CLAMP OR WIRE. DO NOT USE BOLTS, SCREWS OR RIVETS AS THEY COULD INTERFERE WITH DAMPER BLADE OPERATION.



STEP "B" FLEXIBLE DUCT CONNECTION

(CROSS SECTIONAL DETAIL OF DIFFUSER INSTALLATION)



INSTALLATION OF 12" x 12" OR 300mm x 300mm



INSTALLATION INSTRUCTIONS

1. FOLLOW STEPS "A" & "B" AS SHOWN.
2. THE FLEXIBLE AIR DUCT SHALL BE CLASS"0" OR CLASS"1" UL CERTIFIED(SEE UL GAS & OIL EQUIPMENT DIRECTORY). THE MAX LENGTH SHALL NOT EXCEED14'-0"(4267). WHERE FLEX. AIR DUCT SUPPORT IS REQUIRED, USE STEEL STRAPS AND #12 SWG STEEL HANGER WIRE.
3. THE 4'-0" CROSS TEES MUST HAVE SLOTS IN THE WEB FOR CONNECTING THE 2'-0" CROSS TEES. END TABS OF THE 2'-0" CROSS TEE MUST BE BENT BACK AGAINST THE WEB OF THE 4'-0" TEES.
4. SUSPEND CEILING TEES INDEPENDENTLY AT THE 4 CORNERS OF DIFFUSER ASSEMBLY. USE #12 SWG GALVANIZED STEEL HANGER WIRE AND SECURE TO THE FLOOR OR ROOF ABOVE.
5. ROUND NECKS ARE AVAILABLE AS AN OPTION AND ARE AVAILABLE UP TO 15" (381) DIAMETER. MAXIMUM SQUARE NECK SIZE OF THE FIRE RATED DIFFUSER ASSEMBLY IS 18"X18" (457X457).
6. NO DIFFUSER & CEILING RADIATION DAMPER ASSEMBLY SHALL BE LOCATED IN AN ADJACENT 24" X 48" (610 x 1219) CEILING MODULE.
7. INSTALLATION OF 12" (304) & 20"(508) SQUARE DIFFUSER ASSEMBLY IS SIMILAR TO THE ABOVE. REWORK TEE BAR AND GRID TO PROVIDE 4- CORNER TEE SUSPENSION OF 12"(304) OR 20"(508) SQUARE ASSEMBLY. END TABS OF ALL CROSS TEE BARS MUST ENTER SLOTS IN CONNECTING TEES AND MUST BE BENT BACK AGAINST THE WEB OF THE CONNECTING TEES.
8. INSTALLATION OF THERMAL BLANKET ON THE DIFFUSER ASSEMBLY IS DONE AT THE FACTORY. HOWEVER IF IT NEEDS TO REMOVED AND REINSTALLED, FIT THE BLANKET OVER THE DIFFUSER NECK WITH CREASES UP BEFORE DUCT IS FASTENED AND TUCK EDGES TO TEE BARS. THE THERMAL BLANKET MUST TOTALLY COVER THE BACKPAN.

TYPICAL COMPONENTS

BY PRICE INDUSTRIES:

1. SQUARE MODULAR DIFFUSER C/W CEILING RADIATION DAMPER
2. THERMAL BLANKET CK-2000-B

BY OTHERS:

3. - STEEL (NECK) CLAMP - OR WIRE.
4. - AIR DUCT (FLEXIBLE OR RIDGID)
5. - MAIN TEE RUNNER
6. - CROSS TEE BAR 4'-0" OR 1200mm
7. - CROSS TEE BAR 2'-0" OR 600mm
8. - SUSPENSION HANGER WIRE.
9. - CEILING TILE OR PANEL

ALL METRIC DIMENSIONS () ARE SOFT CONVERTED. IMPERIAL DIMENSIONS ARE CONVERTED TO METRIC AND ROUNDED TO THE NEAREST MILLIMETER.

| | | | |
|---------------------------------|---|--|--|
| PROJECT: ODD STOCK | | PRICE® | |
| ENGINEER: | | | SQ. MODULAR |
| CUSTOMER: | | | SMX-FR,SMCD-FR,SCVD-FR SMD-FR,SMDA-FR |
| SUBMITTAL DATE: 2/3/2021 | SPEC. SYMBOL: SMD-FR/1/12/3P/4A/24 | 228792 | APRIL 2002 |
| | | FIRE RATED ASSEMBLY INSTALLATION INSTRUCTIONS | |