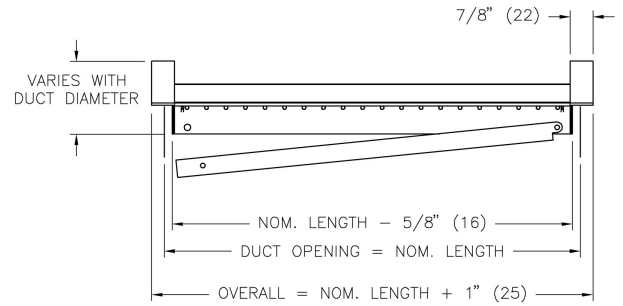
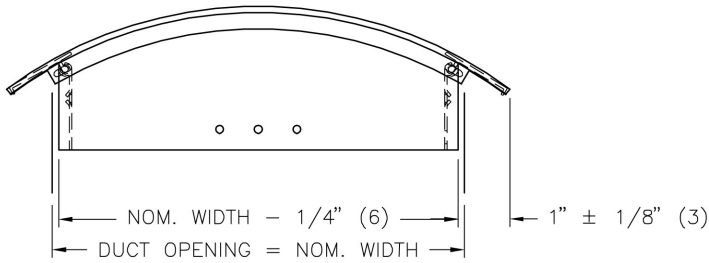
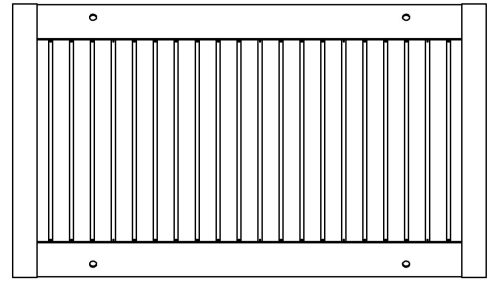
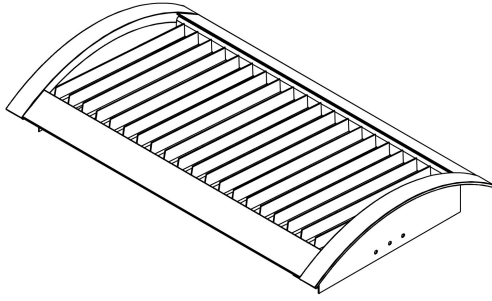


SDGE Extruded Spiral Duct Grille, 3/4" Blade Spacing, Single Deflection



Duct Diameter: 12
Nominal Width: 6
Nominal Length: 20

Notes:

- Nominal lengths available in 1" increments
- Front blades are parallel to the short dimension
- Frames complete with countersunk screwholes
- Factory tolerance $\pm 1/32"$ (1)

Material:

- Extruded Aluminum

Finish:

- B15: Metallic Gray

PROJECT: ODD STOCK
ENGINEER:
DESCRIPTION: Spiral Duct Grille Extruded-Aluminum
 SDGE//12/20/6/SD/S//A/B15

SUBMITTAL NO: 258146
CUSTOMER:

SUBMITTAL DATE: 2/3/2021