


Motor Starter Standard Control with  SMARTSTART™

Qty: 1 Model: MSSC-1PH-1-18/J-G17-40

Standard Construction Features:

NEMA and IEC, dual-rated contactor – HOA keypad – Hand, off, auto, run and fault lights – Conduit plate knockouts – Solid-state, electronic overload – Stall protection – Locked rotor trip – Max start time monitoring – Overload miss calibration protection – 2 inputs for remote control; 12-250V direct voltage input and N.O. dry contact – Proof of flow output relay – UL and cUL

Motor Starter Configuration:

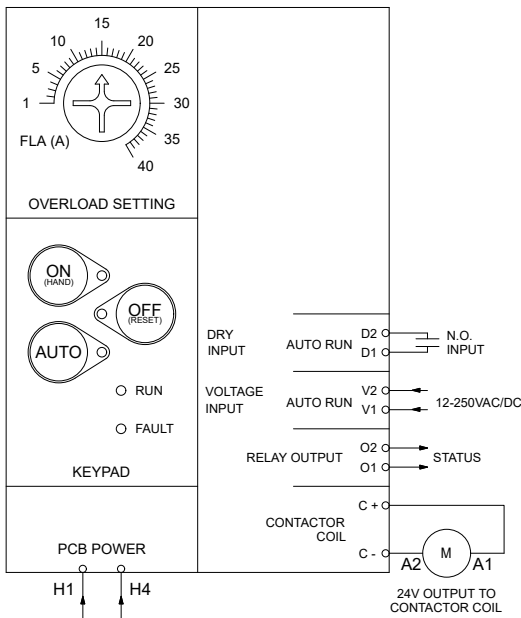
Series:	Type:	Enclosure:	Material:	HP:	Power:	Nema Size:
MSSC	Combination	NEMA-1	16 Ga Steel	Unknown	Unknown/60/1	0

Contactor	NEMA Size	Rated Operational Voltage	Rated Insulation Voltage	Rated Thermal Current 3 ϕ (0 \leq 55 C) [HP]			
				200V	240V	460V	500V
MRC-18	0	690V	1000V	5	7.5	10	15

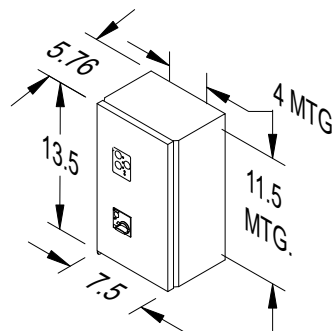
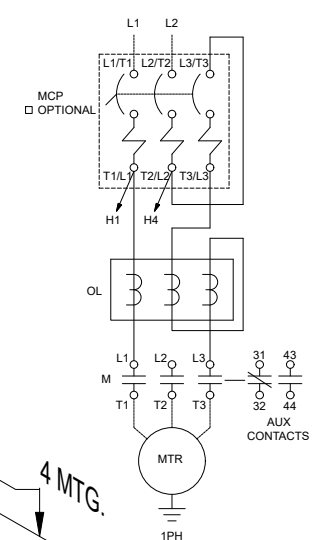
Overload	Trip Class	OL Reset	OL Type	FLA Range	Phase Unbalance	Phase Loss
MSSC	10	Manual or Auto	Electronic Thermal	1-40	Trip in 3 sec @ 25%	Trip in 3 sec

Disconnect Part Number	Rated Operational Current [A]	Magnetic Release Operating Current [A]	Protection Degree	Max Short Circuit Current [KAIC]		
				200/240V	480V	600V
CMS-32HI-17	17	221	IP20	100	30	10

MSSC CONTROL WIRING



MSSC STARTER POWER WIRING



Notes: All dimensions shown are in units of in.