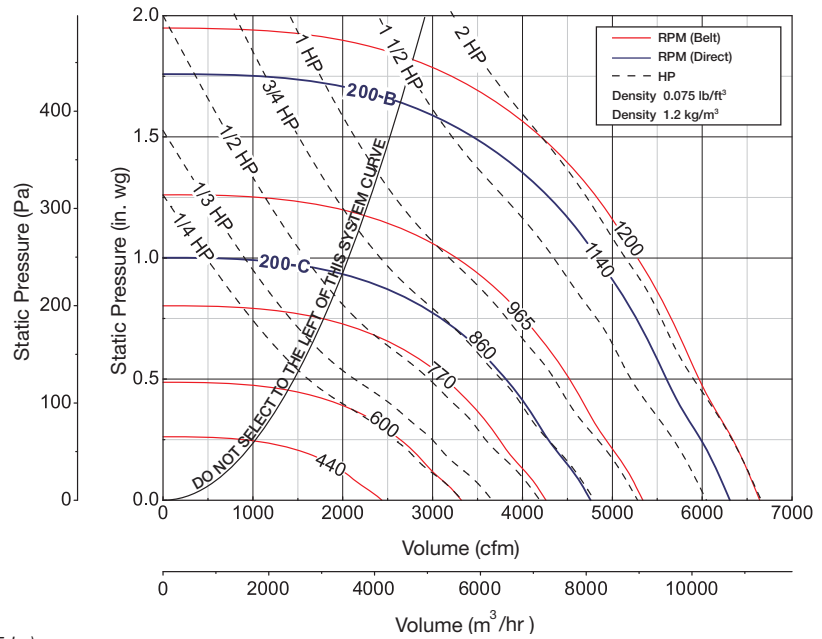
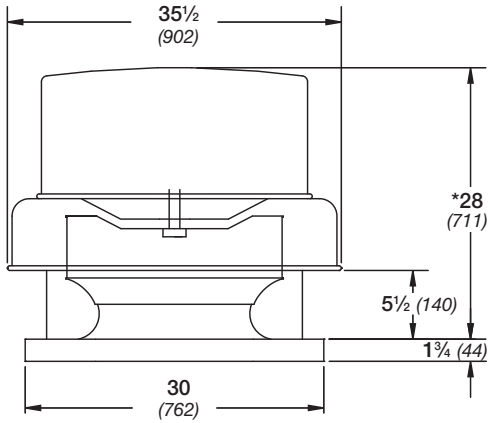


Roof Downblast Exhaust Size-200: GB • G Previously Size- G-203



Damper Size = 18 x 18 (457 x 457)
 Roof Opening = 20½ x 20½ (521 x 521)
 Shroud Thickness = 0.064 (1.6)
 Motor Cover Thickness = 0.040 (1.0)
 Curb Cap Thickness = 0.064 (1.6)
 ^Approximate Unit Weight G/GB = 119/144 lbs. (54/65 kg)

All dimensions in inches (millimeters). *May be greater depending on motor. ^Weight shown is largest cataloged Open Drip-Proof motor.

Direct Drive RPM
 C-860 RPM B-1140 RPM

Motor HP		Fan RPM	Static Pressure in Inches wg									
Belt	Direct		0	0.125	0.25	0.375	0.5	0.75	1.0	1.25	1.5	1.75
200												
1/4	C-3/4	440	CFM	2435	1976							
			BHP	0.1	0.1							
			Sones	6.5	5.8							
	1/3	665	CFM	3320	2984	2637	2089					
			BHP	0.25	0.26	0.26	0.25					
			Sones	8.5	7.9	7.3	6.1					
1/2	718	CFM	3973	3700	3422	3109	2684					
		BHP	0.43	0.43	0.45	0.45	0.44					
		Sones	10.8	10	9.6	9	8.3					
		CFM	4261	4013	3744	3477	3141					
3/4	860	BHP	0.52	0.53	0.55	0.55	0.55					
		Sones	12.1	11	10.7	10.2	9.8					
		CFM	4759	4548	4289	4068	3811	3085				
1	965	BHP	0.73	0.74	0.75	0.77	0.77	0.74				
		Sones	14.1	13.3	12.9	12.4	11.8	11.1				
		CFM	5340	5158	4927	4720	4520	4015	3240			
1 1/2	1028	BHP	1.03	1.04	1.05	1.08	1.09	1.08	1.02			
		Sones	16.7	16	15.4	15	14.5	13.7	13			
		CFM	5689	5517	5309	5101	4918	4488	3911	2941		
	1090	BHP	1.25	1.26	1.27	1.29	1.31	1.32	1.28	1.14		
		Sones	18.5	17.8	17.2	16.8	16.4	15.6	14.7	14.6		
		CFM	6032	5870	5682	5473	5301	4925	4450	3751		
2	B-2	1140	BHP	1.49	1.5	1.51	1.52	1.56	1.56	1.56	1.48	
			Sones	20	19.6	18.9	18.4	18.1	17.5	16.8	15.8	
			CFM	6308	6154	5980	5779	5606	5267	4832	4287	3439
	1200	BHP	1.7	1.71	1.72	1.74	1.77	1.79	1.79	1.75	1.61	
		Sones	22	21	21	20	19.7	19.1	18.5	17.5	16.5	
		CFM	6640	6494	6336	6145	5969	5651	5274	4829	4177	3077
1200	BHP	1.99	2	2.01	2.02	2.04	2.09	2.09	2.08	1.99	1.69	
	Sones	24	23	23	22	22	21	21	19.9	18.6	16.7	
	CFM	6308	6154	5980	5779	5606	5267	4832	4287	3439		

MAXIMUM BHP AT A GIVEN RPM = (RPM/938)³
 MAXIMUM RPM = 1200
 TIP SPEED (ft/min) = RPM x 5.596
 MAXIMUM MOTOR FRAME SIZE = 184T

Performance certified is for installation type A: Free inlet, Free outlet. Power rating (BHP) does not include transmission losses. Performance ratings include the effects of a birdscreen. The sound ratings shown are loudness values in hemispherical sones at 5 ft. (1.5 m) in a hemispherical free field calculated per AMCA Standard 301. Values shown are for installation type A: free inlet hemispherical sone levels.