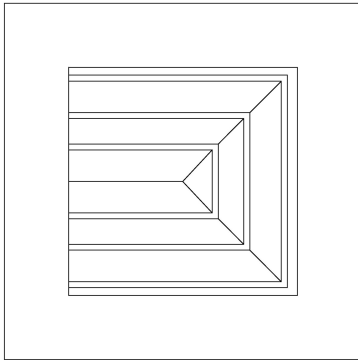
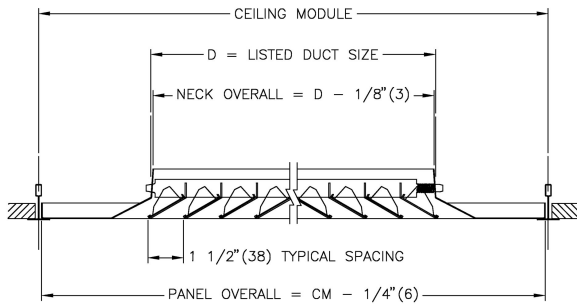


**AMDEX Extruded Aluminum Louvered Diffuser with Induction Vanes**

**Core Style:** 3A 3-Way, Style A for Square Inlet Neck



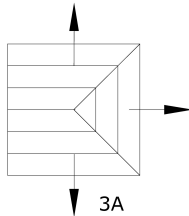
**Border:** 3P T-Bar Panel Lay-In 1" (25)



**Notes:**

- Comes with induction vanes
- Cores sized in increments of 3" (76) in both directions
- Directional core removable at diffuser face
- Factory tolerance  $\pm 1/32"$  (1)

**Plan View:**



**Material:**

- Diffuser: Extruded Aluminum Construction
- Panel: Steel Construction

**Finish:**

- B12: Standard White

**PROJECT:** ODD STOCK  
**ENGINEER:**  
**DESCRIPTION:** Extruded Alum. Louvered Diffuser W/Induction Vanes  
AMDEX//1/12/12/3P/3A/////B12

**SUBMITTAL NO:** 258587-A  
**CUSTOMER:**

**SUBMITTAL DATE:** 2/3/2021