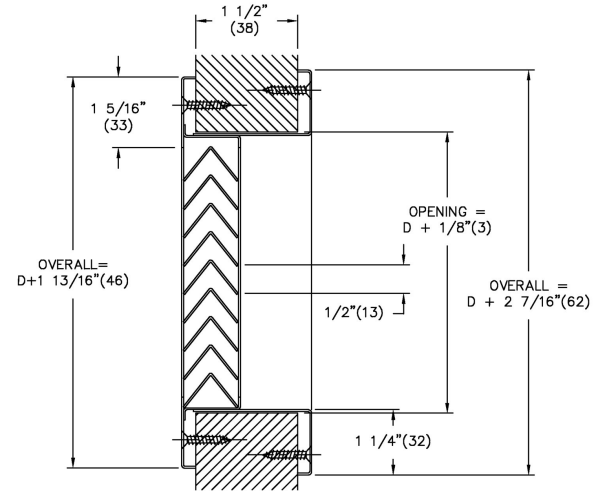
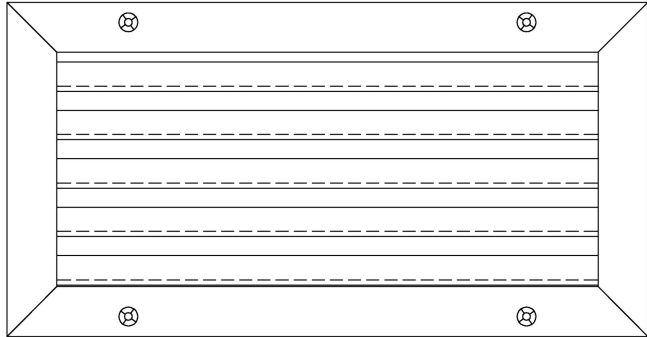


STG1 Steel Transfer Grille



Notes:

- Sightproof core
- Blades on 1/2" (13) centers
- Border BF: Flat border on both sides with countersunk screw hole fastening
- Factory tolerance $\pm 1/32$ " (1)

Material:

- Heavy Duty Steel Construction

Finish:

- B15: Metallic Gray

PROJECT:
ENGINEER:
DESCRIPTION: Steel Transfer/Door Grille - Sightproof
STG1///12.000/12.000/BF////////B15

SUBMITTAL NO: 261381
CUSTOMER:

SUBMITTAL DATE: 6/24/2020