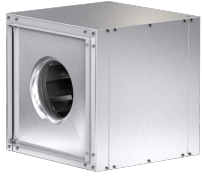
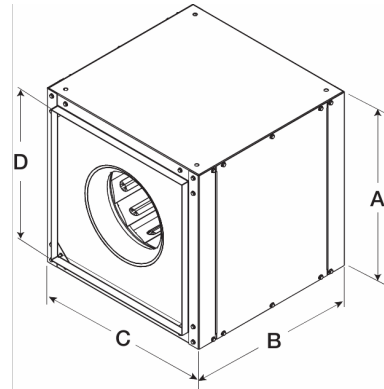


Centrifugal Inline Fan, Variable Speed, Model SQ-80, Direct Drive, Vari-Green EC motor, 1/6HP, 115/208-230V, 1Ph, 105-503 CFM



Model SQ, direct drive centrifugal inline fans feature a unique combination of installation flexibility, rugged construction, ease of service, high efficiency and low sound levels. These compact fans are ideal for indoor clean air applications including exhaust, return or make-up where space is a prime consideration.

- Compact size for height-restricted areas
- Composite backward inclined, non-overloading centrifugal wheel design
- Energy efficient, Vari-Green motor for maximum motor controllability.
- Inlet and discharge duct collars for easy duct connection
- Removable access panels permit easy access to interior components for cleaning and servicing

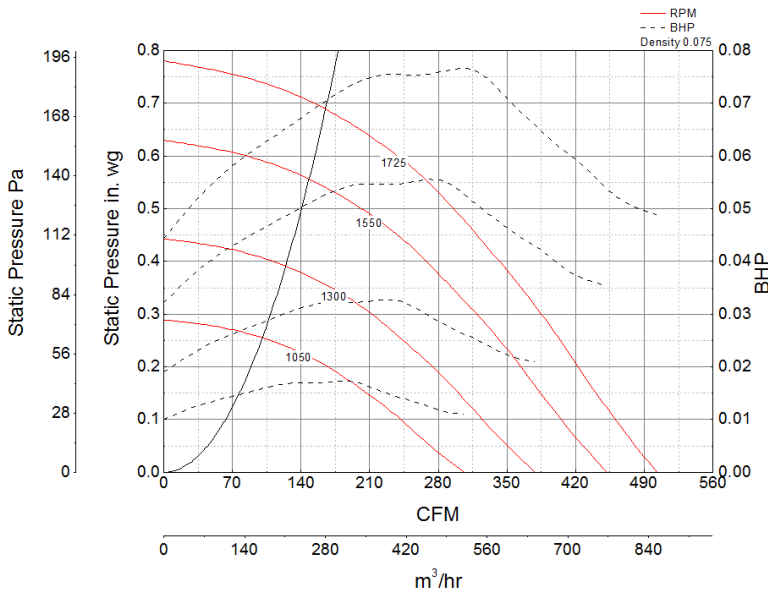


A	B	C	D
15 in	16 in	15 in	11.875 in

Certifications

AMCA Sound & Air Performance
UL/cUL 705

Performance Characteristics



Construction Features

Drive Type	Direct Drive
Impeller Type	Centrifugal Wheel
Impeller Material	Aluminum
Housing Material	Galvanized Steel
Includes	Access Panel Disconnect switch
Max Inlet Temp	130 °F
Certifications	AMCA Sound & Air Performance UL/cUL 705
Speed Controllable	Yes

Motor Information

Service Factor	1
Phase	1
Voltage	115 208 230 277
HP	1/6
Hertz	60
Motor Enclosure	n/a
RPM	1800
Motor Insulation	B
Thermal Protection	Auto
Nominal Efficiency	85

Air and Sound Performance

Motor HP	Max BHP	Max Fan RPM	Min Fan RPM	Ps (in. wg)	0	0.125	0.25	0.375	0.5	0.625
1/6	0.02	1050	0	CFM	306	225	105	-	-	-
				Sones	3.8	3.6	3.9	-	-	-
1/6	0.03	1300	0	CFM	379	313	244	140	-	-
				Sones	5.4	5.4	5.4	5.5	-	-
1/6	0.06	1550	0	CFM	452	395	343	280	201	-
				Sones	7.3	7.3	7.2	7.3	7.3	-
1/6	0.08	1725	0	CFM	503	451	404	354	294	219
				Sones	8.4	8.5	8.6	8.6	8.7	8.7



- Greenheck Fan Corporation certifies that the model shown herein is licensed to bear the AMCA Seal. The ratings shown are based on tests and procedures performed in accordance with AMCA Publication 211 and AMCA Publication 311 and comply with the requirements of the AMCA Certified Ratings Program.
- Performance certified is for installation type B: Free inlet, Ducted outlet.
- Power rating (BHP/kW) does not include transmission losses.
- Performance ratings do not include the effects of appurtenances (accessories).
- The inlet sound ratings shown are loudness values in fan sones at 5 ft. (1.5 m) in a hemispherical free field calculated per AMCA Standard 301. Values shown are for installation type B: free inlet hemispherical sone levels.

California Residents

WARNING

This product can expose you to chemicals including cadmium used in the processing of corrosion resistant metal and fasteners, which is known to the State of California to cause cancer and birth defects or other reproductive harm. For more information visit www.P65Warnings.ca.gov