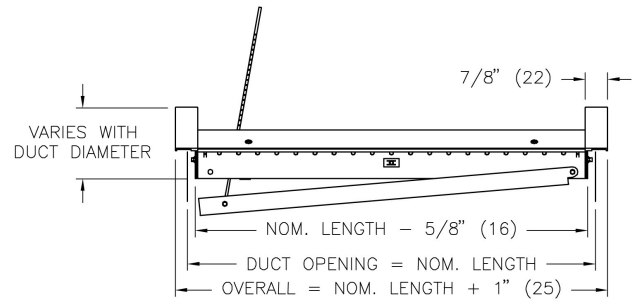
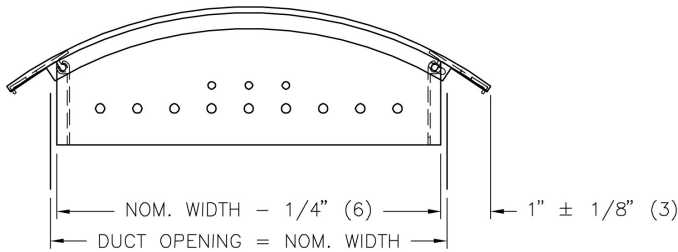
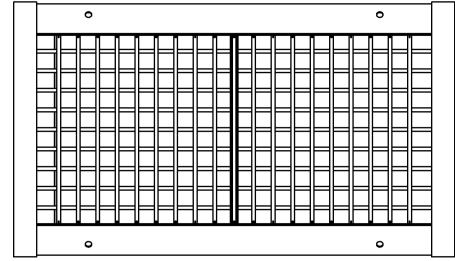
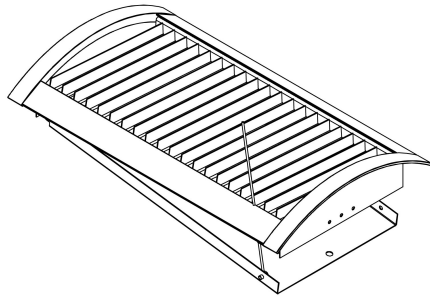


**SDGE Extruded Spiral Duct Grille, 3/4" Blade Spacing, Double Deflection**



**Duct Diameter:** 12  
**Nominal Width:** 4  
**Nominal Length:** 24  
**Damper:** Air Scoop - Rod Operator

**Notes:**

- Nominal lengths available in 1" increments
- Front blades are parallel to the short dimension
- Frames complete with countersunk screwholes
- Factory tolerance ± 1/32" (1)

**Material:**

- Extruded Aluminum

**Finish:**

- B15: Metallic Gray

**PROJECT:** price odd stock  
**ENGINEER:**  
**DESCRIPTION:** Spiral Duct Grille Extruded-Aluminum  
 SDGE//I/12/24/4/DD/S//AS//A/B15

**SUBMITTAL NO:** 258146  
**CUSTOMER:**

**SUBMITTAL DATE:** 9/16/2020