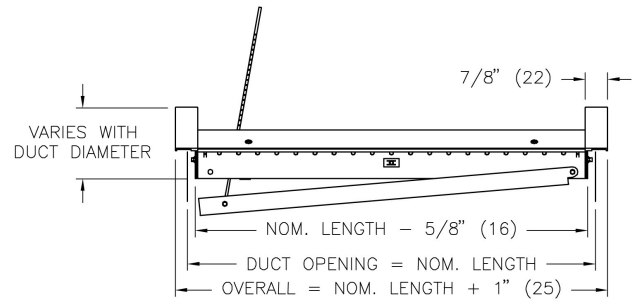
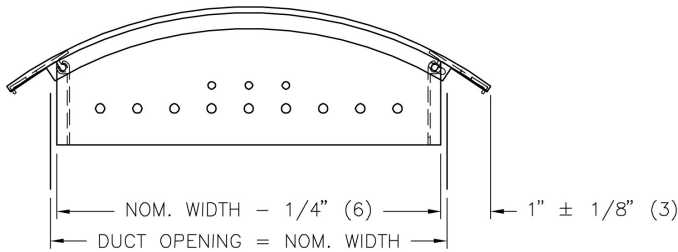
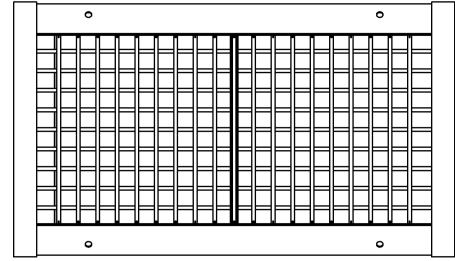
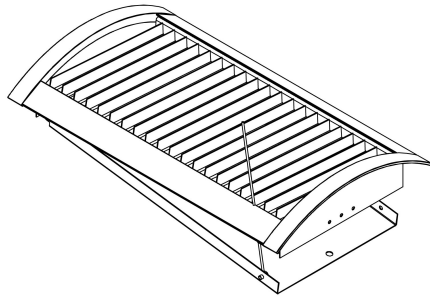


SDGE Extruded Spiral Duct Grille, 3/4" Blade Spacing, Double Deflection



Duct Diameter: 8
Nominal Width: 4
Nominal Length: 12
Damper: Air Scoop - Rod Operator

Notes:

- Nominal lengths available in 1" increments
- Front blades are parallel to the short dimension
- Frames complete with countersunk screwholes
- Factory tolerance $\pm 1/32"$ (1)

Material:

- Extruded Aluminum

Finish:

- PC12: Prime Coat

PROJECT: price odd stock
ENGINEER:
DESCRIPTION: Spiral Duct Grille Extruded-Aluminum
 SDGE//1/8/12/4/DD/S//AS//A/PC12

SUBMITTAL NO: 258146
CUSTOMER:

SUBMITTAL DATE: 9/16/2020