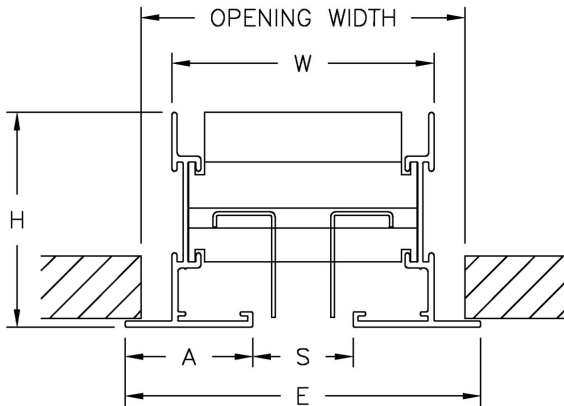


JS220 Custom Flow Jet-Slot Linear Diffuser with 2" Slot



1 Slot

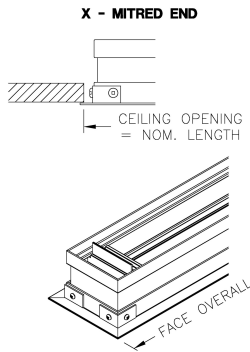
| S | SlotQty | E | W | OpeningWidth* | A | H |
|----|---------|---------|--------|---------------|----------|----------|
| 2" | 1 Slot | 5 9/16" | 4 5/8" | 5 1/4" | 1 25/32" | 2 11/16" |

*Opening width dimension is outside of field built plenum with hemmed seam. If no plenum is used, this may be reduced by up to 1/4" (6). For Type P mounting see also ASP/JSP submittal.

Nominal Length = 48.000"

End Conditions

XX Factory Mitered both ends



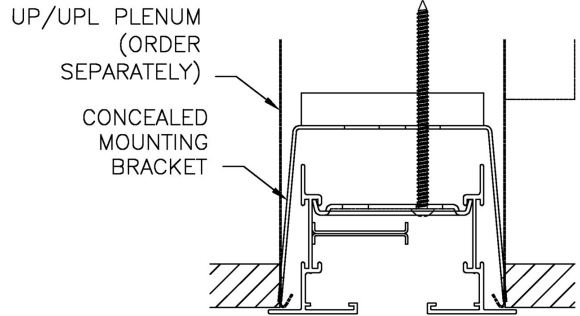
| End Condition | Face Overall Length |
|---------------|------------------------|
| XX | Nom. Length + 1/4" (6) |

Border/Mounting

21SM Exposed Frame Surface Mount w/Mtg Bracket

C Concealed Mounting Bracket

CONCEALED MOUNTING BRACKETS:



Material

- Extruded Aluminum Frame and Spacers
- Pattern Controllers are Heavy Gauge Steel

Finish

- Pattern Controllers: B17 Black
- Upper Frame to match diffuser face finish
- Diffuser Face: PC12 Prime Coat

Notes

- Minimum Length 12" (305)
- Maximum Section Length 120" (3048)
- For use with model UP/UPL plenums
- Concealed mounting brackets included
- SPC: Single layer pattern controllers (pattern adjustment only)
- See installation instruction I100028

PROJECT: price odd stock
ENGINEER:
DESCRIPTION: Custom Flow Jet-Slot Linear, 2" Slot
JS220/I/48.000/1/21SM/STRAIGHT/0.000/XX/C/SPC/PC12

SUBMITTAL NO: 258086-B
CUSTOMER:

SUBMITTAL DATE: 9/16/2020