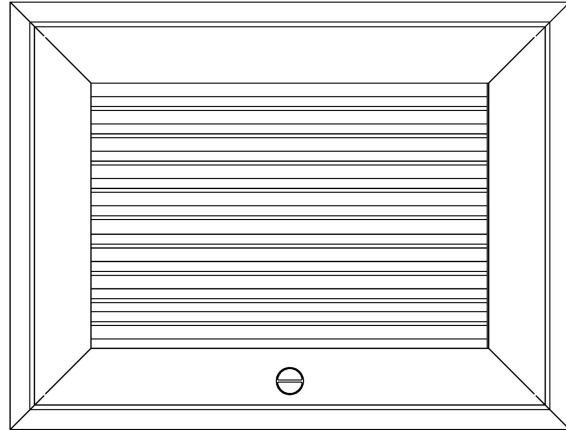
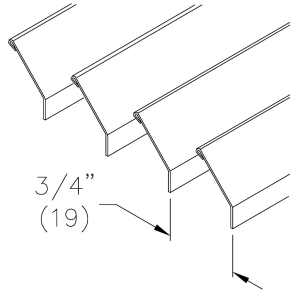


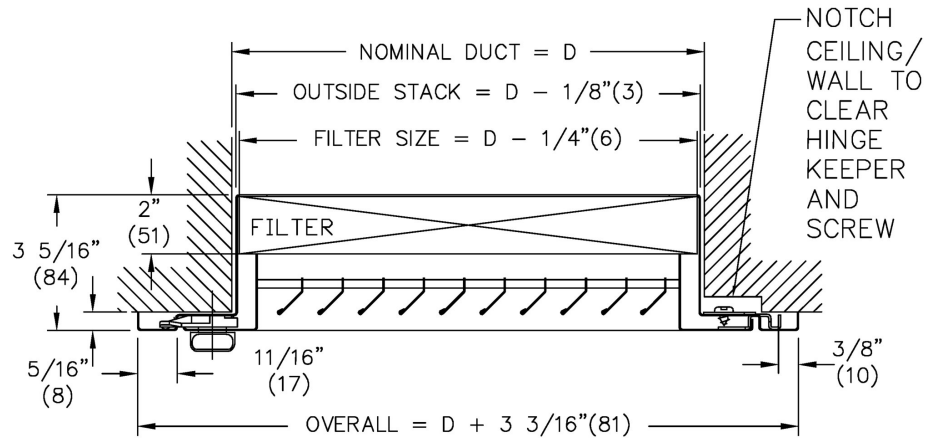
530FF Steel Filter Grille - 3/4" Blade Spacing

Core Style:



Border: SM

Sidewall Application Surface
Mount Border



Notes:

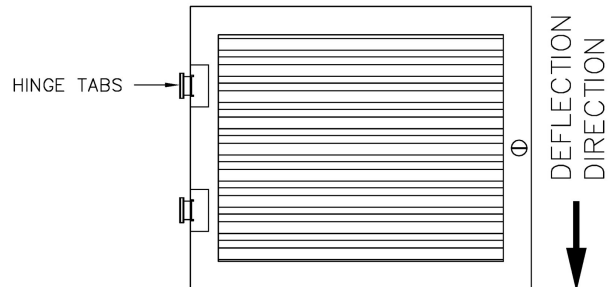
- Filter frame accepts 2" filter
- Filter media supplied by others
- Blades are on 3/4" (19) spacing
- Blades are parallel to the long dimension
- Hinge tabs are parallel to the short dimension
- For sidewall installation, hinge tabs must be at top
- Quarter turn fastener location per factory standard
- Mounting holes in filter frame by installer
- Nominal duct size listed
- Factory tolerance: ± 1/32"(1)

Material:

- Steel Construction

Finish:

- B12: Standard White



PROJECT: price odd stock

ENGINEER:

DESCRIPTION: Steel Filter Retr Grille, 45 Deg Blades 3/4" Spcng
530FF/I/48.000/24.000/SM/L/I/2/HS/B12

SUBMITTAL NO: 261070-E

CUSTOMER:

SUBMITTAL DATE: 9/16/2020