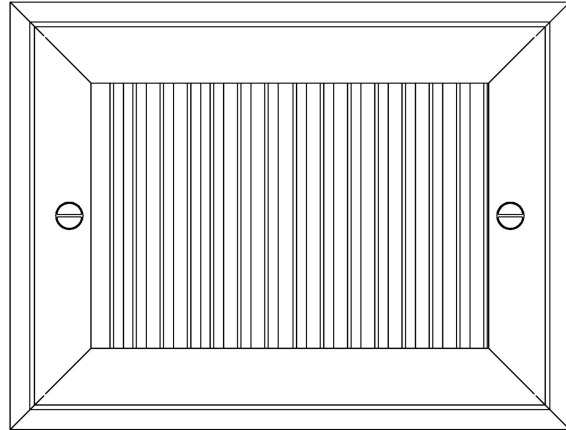
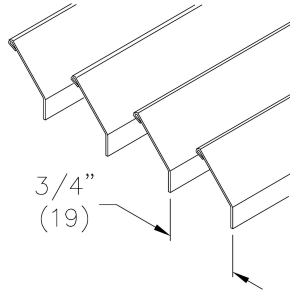


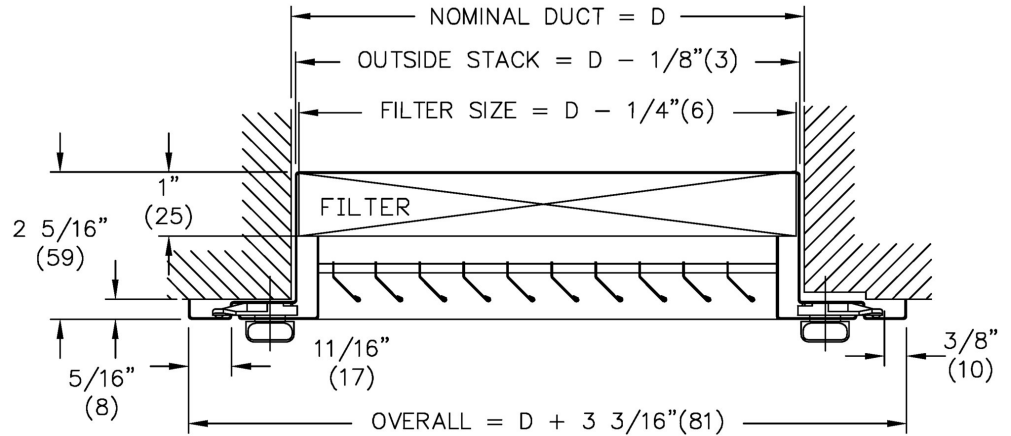
**530FF Steel Filter Grille - 3/4" Blade Spacing**

**Core Style:**



**Border: SM**

Sidewall Application Surface  
Mount Border



**Notes:**

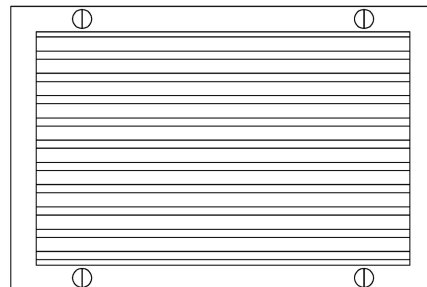
- Filter frame accepts 1" filter
- Filter media supplied by others
- Blades are on 3/4" (19) spacing
- Blades are parallel to the short dimension
- For sidewall installation, hinge tabs must be at top
- Quarter turn fastener location per factory standard
- Mounting holes in filter frame by installer
- Nominal duct size listed
- Factory tolerance: ± 1/32"(1)

**Material:**

- Steel Construction

**Finish:**

- B12: Standard White



**PROJECT:** price odd stock

**ENGINEER:**

**DESCRIPTION:** Steel Filter Retr Grille, 45 Deg Blades 3/4" Spcng  
530FF//I/24.000/8.000/SM/S///1/QR//B12

**SUBMITTAL NO:** 261070-E

**CUSTOMER:**

**SUBMITTAL DATE:** 9/17/2020