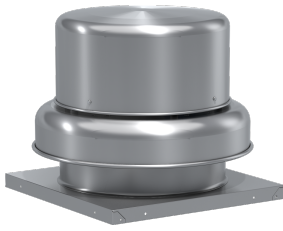
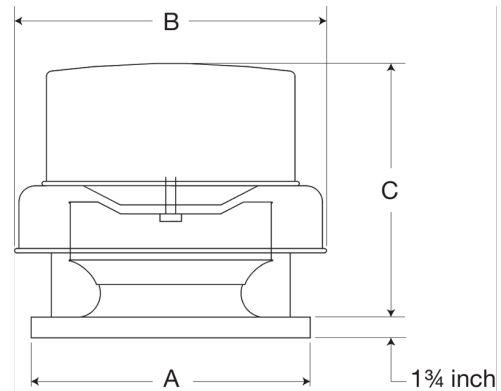


Centrifugal Downblast Exhaust Fan, Model GB-300, Belt Drive, Less Motor & Drive Package, 2630-14416 CFM



Model GB, belt drive centrifugal roof exhaust fans are designed to meet the general clean air exhaust requirements for industrial and commercial buildings. Units feature a fully rolled windband bead for increased stability and easy transport. Fresh outside air is drawn in under the motor cover to maximize motor life.

- Centrifugal wheel provides high-efficiency and minimal sound
- True vibration isolation supports the motor and wheel for long life and quiet operation
- One-piece aluminum curb cap provides a weather-tight fit
- Positive motor cooling with fresh air results in maximum motor life
- Galvanized birdscreen protects the fan discharge from birds and small objects

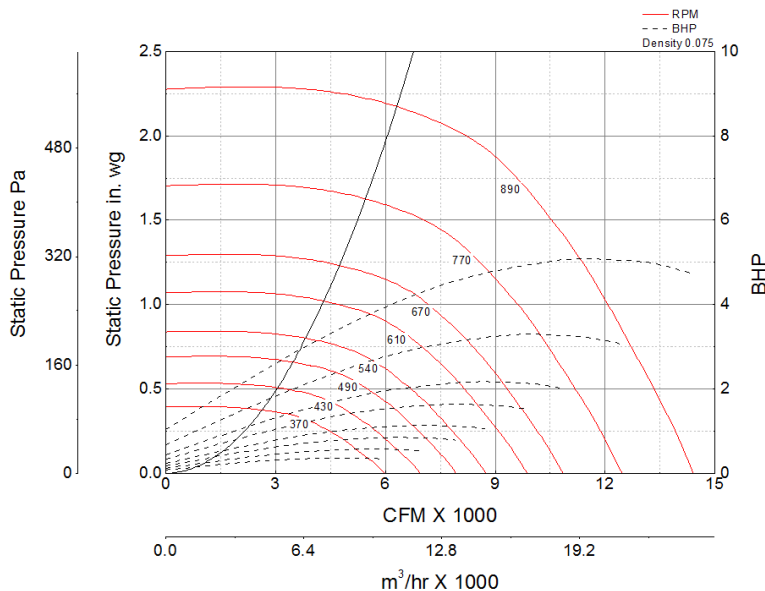


A	B	C
40 in	50 in	36 in

Certifications

AMCA Sound & Air
High Wind and Hurricane
Seismic
UL/cUL 705

Performance Characteristics



Note: The maximum FRPM for each motor horsepower is shown. For additional performance ranges available for this fan, refer to the performance table.

Construction Features

Drive Type	Belt Drive
Impeller Type	Centrifugal Wheel
Impeller Material	Aluminum
Housing Material	Spun Aluminum
Max Inlet Temp	180 °F
Certifications	AMCA Sound & Air High Wind and Hurricane Seismic UL/cUL 705
Drive Package Description	No drive package included
Required Accessory	Roof curb for new installations

Motor Information

Motor Included	No
----------------	----

Air and Sound Performance

Motor HP	Max BHP	Max Fan RPM	Min Fan RPM	Ps (in. wg)	0	0.125	0.25	0.375	0.5	0.625	0.75	0.875	1	1.25	1.5	1.75	2
1/3	0.36	370	300	CFM	5,993	5,314	4,455	2,630	-	-	-	-	-	-	-	-	-
				Sones	9.2	6.4	5.9	5.4	-	-	-	-	-	-	-	-	-
1/2	0.31	350	310	CFM	5,669	4,943	3,974	-	-	-	-	-	-	-	-	-	-
				Sones	9.2	6	5.6	-	-	-	-	-	-	-	-	-	-
1/2	0.57	430	350	CFM	6,965	6,401	5,738	4,902	3,232	-	-	-	-	-	-	-	-
				Sones	10	8.6	7.6	6.9	6.5	-	-	-	-	-	-	-	-
3/4	0.26	330	300	CFM	5,345	4,567	3,445	-	-	-	-	-	-	-	-	-	-
				Sones	9.1	5.7	5.3	-	-	-	-	-	-	-	-	-	-
3/4	0.46	400	330	CFM	6,479	5,862	5,130	4,059	-	-	-	-	-	-	-	-	-
				Sones	9.3	7.2	6.5	6.1	-	-	-	-	-	-	-	-	-
3/4	0.85	490	400	CFM	7,937	7,461	6,898	6,285	5,490	4,130	-	-	-	-	-	-	-
				Sones	12.2	11.6	10.6	9.9	8.8	8.8	-	-	-	-	-	-	-
1	0.61	440	370	CFM	7,127	6,579	5,937	5,151	3,768	-	-	-	-	-	-	-	-
				Sones	10.4	9	8	7.3	6.9	-	-	-	-	-	-	-	-
1	1.13	540	440	CFM	8,747	8,320	7,824	7,294	6,684	5,933	4,663	-	-	-	-	-	-
				Sones	14	13.5	12.8	12.2	11.4	10.3	10	-	-	-	-	-	-
1 1/2	1.63	610	490	CFM	9,881	9,503	9,086	8,633	8,152	7,615	6,981	6,158	4,704	-	-	-	-
				Sones	16.5	16	15.5	14.9	14.5	13.8	12.8	11.8	10.4	-	-	-	-
2	2.16	670	540	CFM	10,853	10,508	10,148	9,739	9,323	8,874	8,382	7,819	7,159	-	-	-	-
				Sones	19.1	18.6	18.1	17.7	17.3	16.8	16.1	15.2	14.1	-	-	-	-
3	1.72	620	530	CFM	10,043	9,671	9,264	8,819	8,352	7,840	7,232	6,516	5,233	-	-	-	-
				Sones	16.9	16.4	15.9	15.4	15	14.3	13.4	12.4	11	-	-	-	-
3	3.29	770	620	CFM	12,473	12,173	11,873	11,535	11,180	10,817	10,440	10,039	9,596	8,556	6,864	-	-
				Sones	23	23	22	22	21	21	21	19.9	19.3	17.7	15.4	-	-
5	2.69	720	630	CFM	11,663	11,342	11,022	10,643	10,259	9,868	9,439	8,970	8,447	6,984	-	-	-
				Sones	21	21	20	19.7	19.4	19	18.5	17.8	16.9	14.5	-	-	-
5	5.09	890	720	CFM	14,416	14,157	13,898	13,639	13,335	13,028	12,716	12,402	12,073	11,379	10,536	9,568	7,963
				Sones	28	28	28	28	27	26	26	26	26	25	24	23	22



- Greenheck Fan Corporation certifies that the model shown herein is licensed to bear the AMCA Seal. The ratings shown are based on tests and procedures performed in accordance with AMCA Publication 211 and AMCA Publication 311 and comply with the requirements of the AMCA Certified Ratings Program.
- Performance certified is for installation type A: Free inlet, Free outlet.
- Power rating (BHP/kW) includes transmission losses.
- Performance ratings include the effects of birdscreen.
- The sound ratings shown are loudness values in fan sones at 5 ft. (1.5 m) in a hemispherical free field calculated per AMCA Standard 301. Values shown are for installation type A: free inlet hemispherical sone levels.

California Residents

WARNING

This product can expose you to chemicals including cadmium used in the processing of corrosion resistant metal and fasteners, which is known to the State of California to cause cancer and birth defects or other reproductive harm. For more information visit www.P65Warnings.ca.gov