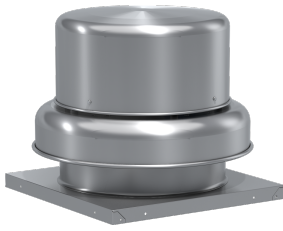
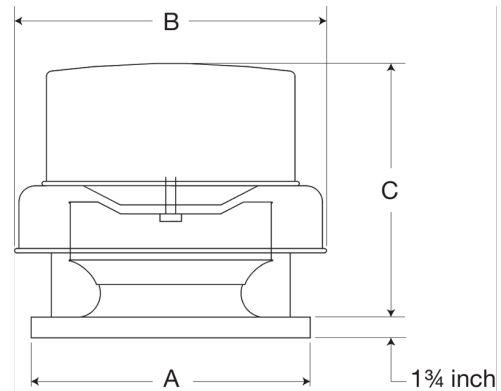


Centrifugal Downblast Exhaust Fan, Model GB-240, Belt Drive, Less Motor & Drive Package, 2387-8355 CFM



Model GB, belt drive centrifugal roof exhaust fans are designed to meet the general clean air exhaust requirements for industrial and commercial buildings. Units feature a fully rolled windband bead for increased stability and easy transport. Fresh outside air is drawn in under the motor cover to maximize motor life.

- Centrifugal wheel provides high-efficiency and minimal sound
- True vibration isolation supports the motor and wheel for long life and quiet operation
- One-piece aluminum curb cap provides a weather-tight fit
- Positive motor cooling with fresh air results in maximum motor life
- Galvanized birdscreen protects the fan discharge from birds and small objects

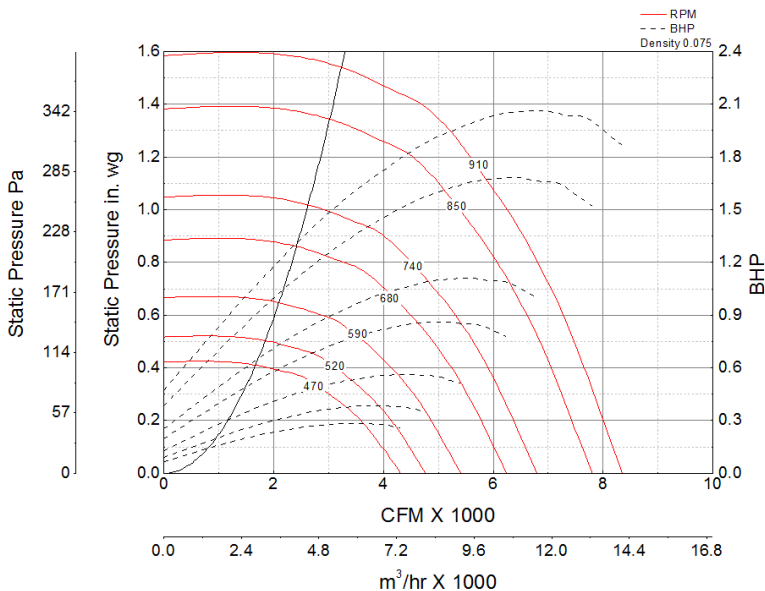


A	B	C
34 in	42.75 in	31.5 in

Certifications

AMCA Sound & Air
High Wind and Hurricane
Seismic
UL/cUL 705

Performance Characteristics



Construction Features

Drive Type	Belt Drive
Impeller Type	Centrifugal Wheel
Impeller Material	Aluminum
Housing Material	Spun Aluminum
Max Inlet Temp	180 °F
Certifications	AMCA Sound & Air High Wind and Hurricane Seismic UL/cUL 705
Drive Package Description	No drive package included
Required Accessory	Roof curb for new installations

Motor Information

Motor Included	No
----------------	----

Air and Sound Performance

Motor HP	Max BHP	Max Fan RPM	Min Fan RPM	Ps (in. wg)	0	0.125	0.25	0.375	0.5	0.625	0.75	0.875	1	1.25	1.5
1/4	0.28	470	430	CFM	4,315	3,887	3,323	2,387	-	-	-	-	-	-	-
				Sones	6.9	6.8	6.1	4.8	-	-	-	-	-	-	-
1/3	0.38	520	420	CFM	4,774	4,392	3,939	3,288	-	-	-	-	-	-	-
				Sones	8.2	7.9	7.5	6.6	-	-	-	-	-	-	-
1/2	0.30	480	430	CFM	4,407	3,989	3,456	2,606	-	-	-	-	-	-	-
				Sones	7.2	7	6.4	5.2	-	-	-	-	-	-	-
1/2	0.56	590	480	CFM	5,417	5,079	4,720	4,261	3,638	2,488	-	-	-	-	-
				Sones	10.5	9.9	9.5	9	8.4	7.4	-	-	-	-	-
3/4	0.45	550	450	CFM	5,050	4,688	4,282	3,722	2,929	-	-	-	-	-	-
				Sones	9.1	8.7	8.3	7.7	6.8	-	-	-	-	-	-
3/4	0.86	680	550	CFM	6,243	5,949	5,653	5,315	4,903	4,374	3,708	-	-	-	-
				Sones	14	13.3	12.7	12.3	12	11.5	11.4	-	-	-	-
1	0.59	600	500	CFM	5,509	5,177	4,828	4,383	3,789	2,851	-	-	-	-	-
				Sones	10.8	10.2	9.8	9.4	8.8	8	-	-	-	-	-
1	1.11	740	600	CFM	6,794	6,523	6,257	5,969	5,625	5,212	4,718	4,110	2,676	-	-
				Sones	16.3	15.4	14.8	14.4	14	13.7	13.3	12.9	12.1	-	-
1 1/2	1.68	850	680	CFM	7,804	7,568	7,335	7,098	6,844	6,553	6,216	5,820	5,381	4,084	-
				Sones	21	19.8	18.9	18.6	18.1	17.5	17.3	17.2	16.2	13.3	-
2	1.06	730	650	CFM	6,702	6,428	6,158	5,861	5,507	5,077	4,568	3,920	-	-	-
				Sones	15.9	15.1	14.5	14	13.7	13.4	13	12.7	-	-	-
2	2.06	910	730	CFM	8,355	8,135	7,916	7,700	7,467	7,215	6,933	6,616	6,240	5,388	3,707
				Sones	24	23	22	21	21	20	19.8	19.8	19.8	17.2	13.8



- Greenheck Fan Corporation certifies that the model shown herein is licensed to bear the AMCA Seal. The ratings shown are based on tests and procedures performed in accordance with AMCA Publication 211 and AMCA Publication 311 and comply with the requirements of the AMCA Certified Ratings Program.
- Performance certified is for installation type A: Free inlet, Free outlet.
- Power rating (BHP/kW) includes transmission losses.
- Performance ratings include the effects of birdscreen.
- The sound ratings shown are loudness values in fan sones at 5 ft. (1.5 m) in a hemispherical free field calculated per AMCA Standard 301. Values shown are for installation type A: free inlet hemispherical sone levels.

California Residents

WARNING

This product can expose you to chemicals including cadmium used in the processing of corrosion resistant metal and fasteners, which is known to the State of California to cause cancer and birth defects or other reproductive harm. For more information visit www.P65Warnings.ca.gov