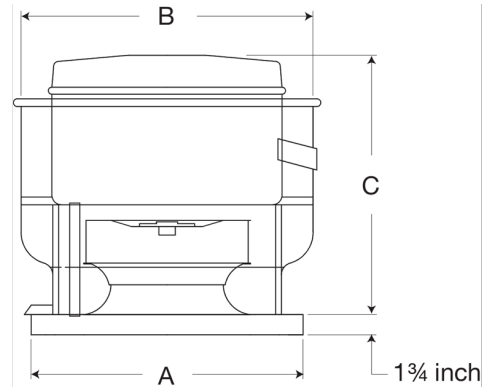


Centrifugal Upblast Exhaust Fan, Model CUBE-180, Belt Drive, Less Motor & Drive Package, 1558-5667 CFM



The CUBE is an aluminum exhaust fan specifically designed for roof or sidewall mounted applications where contaminated or grease laden exhaust air can be discharged directly upward, away from the roof or wall surface. The fans feature a one piece windband continuously welded to curb cap and double studded isolators for true vibration isolation.

- Windband is continually welded to the curb cap and drain trough for leakproof construction
- Centrifugal wheel provides high-efficiency and minimal sound
- One-piece aluminum windband with rolled bead provides extra rigidity
- Cooling fins located on top of fan wheel draw outside air through a large breather tube directly into the motor compartment extending motor life
- Wall or roof mountable

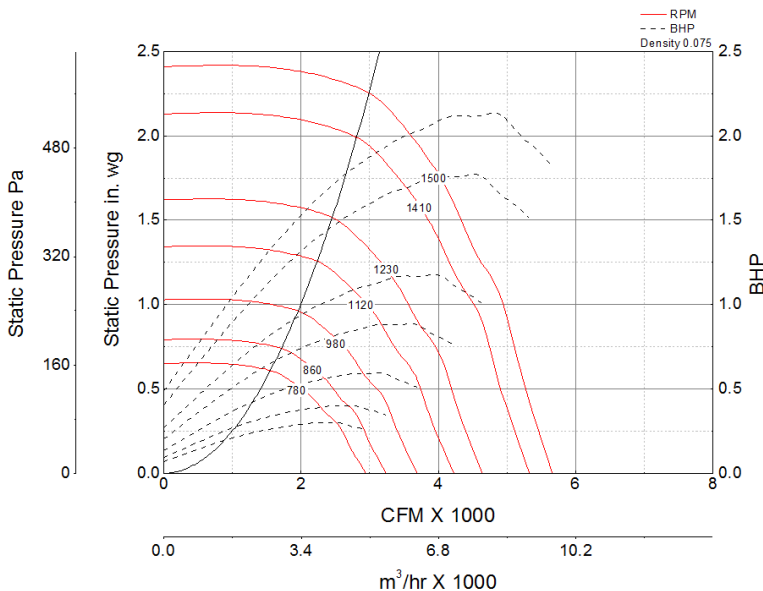


A	B	C
30 in	35.375 in	28.625 in

Certifications

AMCA Sound & Air
High Wind and Hurricane
Seismic
UL/cUL 762

Performance Characteristics



Note: The maximum FRPM for each motor horsepower is shown. For additional performance ranges available for this fan, refer to the performance table.

Construction Features

Drive Type	Belt Drive
Impeller Type	Centrifugal Wheel
Impeller Material	Aluminum
Housing Material	Spun Aluminum
Includes	Disconnect switch
Max Inlet Temp	400 °F
Certifications	AMCA Sound & Air High Wind and Hurricane Seismic UL/cUL 762
Drive Package Description	No drive package included
Required Accessory	Roof curb for new roof installations

Motor Information

Motor Included	No
----------------	----

Air and Sound Performance

Motor HP	Max BHP	Max Fan RPM	Min Fan RPM	Ps (in. wg)	0	0.125	0.25	0.375	0.5	0.625	0.75	0.875	1	1.25	1.5	1.75	2
1/4	0.30	780	630	CFM	2,947	2,757	2,595	2,322	2,010	-	-	-	-	-	-	-	-
				Sones	10.3	9.4	9	8.4	7.9	-	-	-	-	-	-	-	-
1/3	0.21	690	640	CFM	2,607	2,396	2,168	1,831	-	-	-	-	-	-	-	-	-
				Sones	8.3	7.5	6.8	6.3	-	-	-	-	-	-	-	-	-
1/3	0.40	860	690	CFM	3,249	3,074	2,922	2,732	2,474	2,171	-	-	-	-	-	-	-
				Sones	12.6	11.8	11.4	11	10.4	9.7	-	-	-	-	-	-	-
1/2	0.31	790	640	CFM	2,985	2,796	2,636	2,373	2,072	-	-	-	-	-	-	-	-
				Sones	10.6	9.7	9.3	8.7	8.2	-	-	-	-	-	-	-	-
1/2	0.59	980	790	CFM	3,702	3,546	3,405	3,280	3,088	2,861	2,615	2,289	-	-	-	-	-
				Sones	15	14.7	14.4	14.4	13.9	13.3	12.7	11.7	-	-	-	-	-
3/4	0.23	720	650	CFM	2,720	2,517	2,322	2,013	1,558	-	-	-	-	-	-	-	-
				Sones	8.9	8	7.5	7	6.6	-	-	-	-	-	-	-	-
3/4	0.46	900	720	CFM	3,400	3,231	3,083	2,936	2,678	2,421	2,059	-	-	-	-	-	-
				Sones	13.3	12.7	12.4	12.1	11.5	10.9	10.1	-	-	-	-	-	-
3/4	0.88	1120	900	CFM	4,231	4,095	3,966	3,847	3,740	3,577	3,370	3,181	2,948	-	-	-	-
				Sones	17.6	17.2	16.6	16.5	16.2	16	15.5	15.1	14.5	-	-	-	-
1	0.61	990	800	CFM	3,740	3,586	3,445	3,321	3,139	2,912	2,677	2,366	-	-	-	-	-
				Sones	15.2	14.9	14.7	14.7	14.3	13.7	13.1	12	-	-	-	-	-
1	1.17	1230	990	CFM	4,647	4,523	4,401	4,290	4,188	4,090	3,934	3,741	3,569	3,157	2,476	-	-
				Sones	20	19.4	18.6	18.2	17.8	17.5	17.3	16.9	16.6	15.7	15.2	-	-
1 1/2	0.91	1130	940	CFM	4,269	4,134	4,006	3,887	3,781	3,628	3,420	3,233	3,010	2,365	-	-	-
				Sones	17.8	17.3	16.7	16.6	16.3	16.1	15.6	15.3	14.7	13.6	-	-	-
1 1/2	1.76	1410	1130	CFM	5,327	5,218	5,110	5,009	4,912	4,822	4,737	4,652	4,490	4,169	3,846	3,420	-
				Sones	25	25	24	24	23	23	22	22	22	21	20	19.1	-
2	1.08	1200	1070	CFM	4,533	4,406	4,283	4,169	4,066	3,966	3,780	3,590	3,414	2,951	-	-	-
				Sones	19.3	18.7	17.8	17.4	17	16.8	16.5	16.2	15.8	15	-	-	-
2	2.12	1500	1200	CFM	5,667	5,565	5,463	5,365	5,274	5,183	5,103	5,022	4,942	4,625	4,338	4,013	3,601
				Sones	28	28	28	27	27	26	26	25	25	25	24	23	21



- Greenheck Fan Corporation certifies that the model shown herein is licensed to bear the AMCA Seal.
- The ratings shown are based on tests and procedures performed in accordance with AMCA Publication 211 and AMCA Publication 311 and comply with the requirements of the AMCA Certified Ratings Program.
- Performance certified is for installation type A: Free inlet, Free outlet.
- Power rating (BHP/kW) includes transmission losses.
- Performance ratings do not include the effects of appurtenances (accessories).
- The sound ratings shown are loudness values in fan sones at 5 ft. (1.5 m) in a hemispherical free field calculated per AMCA Standard 301. Values shown are for installation type A: free inlet hemispherical sone levels.

California Residents

WARNING

This product can expose you to chemicals including cadmium used in the processing of corrosion resistant metal and fasteners, which is known to the State of California to cause cancer and birth defects or other reproductive harm. For more information visit www.P65Warnings.ca.gov