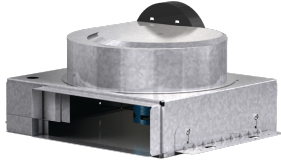
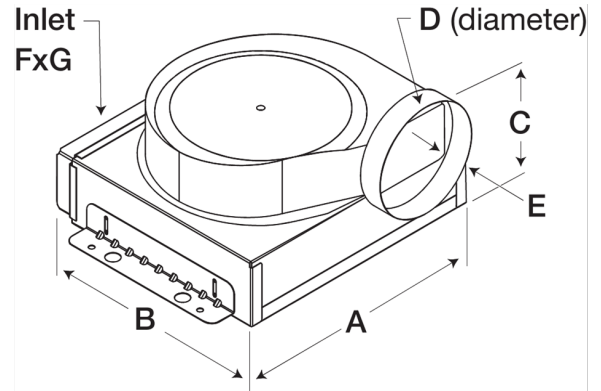


Inline Cabinet Fan, Model CSP-B110, 115V, 1 Ph, 86-103 CFM



Model CSP-B, low profile, high performance inline fans are designed for residential, commercial and institutional applications. Units feature forward-curved wheels for low sound levels and high efficiency. Factory assembled for horizontal discharge.

- Vertical electrical access to eliminate drilling holes
- Large electrical junction box for easy wiring
- Adjustable mounting brackets for multiple installation conditions
- Embossed, galvanized steel housing for rigidity
- Speed controllable motor
- Easy access to internal components through access panels

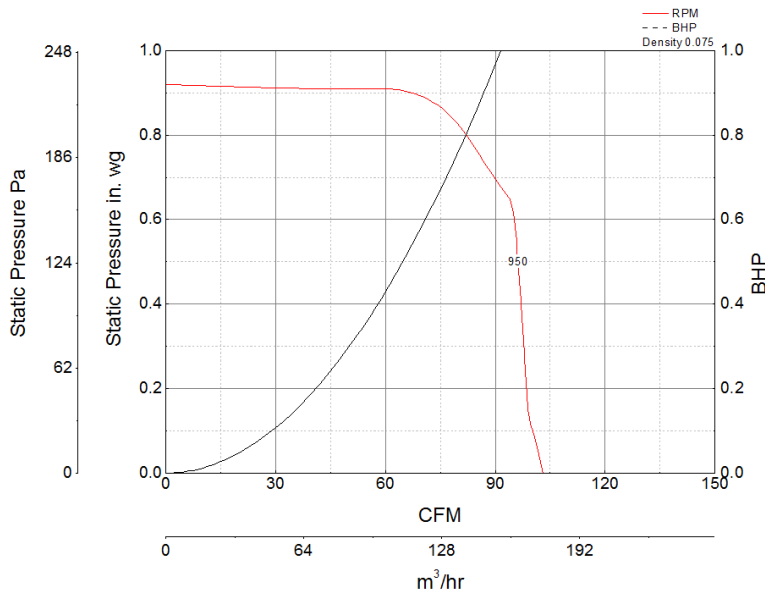


A	B	C	D	E	F	G
13.875 in	11.5 in	7 in	6 in	1.25 in	13.5 in	3.25 in

Certifications

AMCA Air
UL/cUL 507

Performance Characteristics



Construction Features

Drive Type	Direct Drive
Impeller Type	Centrifugal Wheel
Impeller Material	Polypropylene
Housing Material	Galvanized Steel
Includes	Access Panel Backdraft damper Mounting brackets
Certifications	AMCA Air UL/cUL 507
Speed Controllable	Yes

Motor Information

Service Factor	1
Phase	1
Voltage	115
Hertz	60
Motor Enclosure	n/a
RPM	950
Motor Insulation	B
Thermal Protection	Auto
Nominal Efficiency	12
Watts	8

Air and Sound Performance

Watts	Max Fan RPM	Min Fan RPM	Ps (in. wg)	0	0.125	0.25	0.375	0.5	0.625	0.75
80	950	760	CFM	103	100	98	97	96	94	86
			Sones	1.9	2.2	2.4	2.5	2.6	3	3.3



- Greenheck Fan Corporation certifies that the CSP models shown herein are licensed to bear the AMCA seal.
- The ratings shown are based on tests and procedures performed in accordance with AMCA Publication 211 and comply with the requirements of the AMCA Certified Ratings Program.
- The CSP models are not AMCA certified with 50 hertz motors.

California Residents

 **WARNING**

This product can expose you to chemicals including cadmium used in the processing of corrosion resistant metal and fasteners, which is known to the State of California to cause cancer and birth defects or other reproductive harm. For more information visit www.P65Warnings.ca.gov