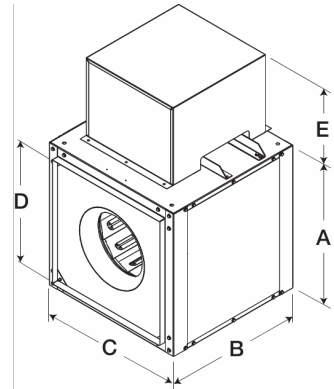


Centrifugal Inline Fan, Model BSQ-120, Belt Drive, Less Motor & Drive Package, 595-2255 CFM



Model BSQ centrifugal inline fan features a unique combination of installation flexibility, rugged construction, ease of service, high efficiency and low sound levels. These compact fans are the ideal selection for indoor clean air applications including intake, exhaust, return or make-up air.

- Removable access panels allow easy access to all interior components
- Aluminum, centrifugal wheel delivers maximum efficiency
- Inlet and discharge duct collars allow for easy duct connection
- Rigid, galvanized steel housing construction
- Factory tested bearings designed specifically for air handling applications with a minimum L₁₀ life in excess of 100,000 hours

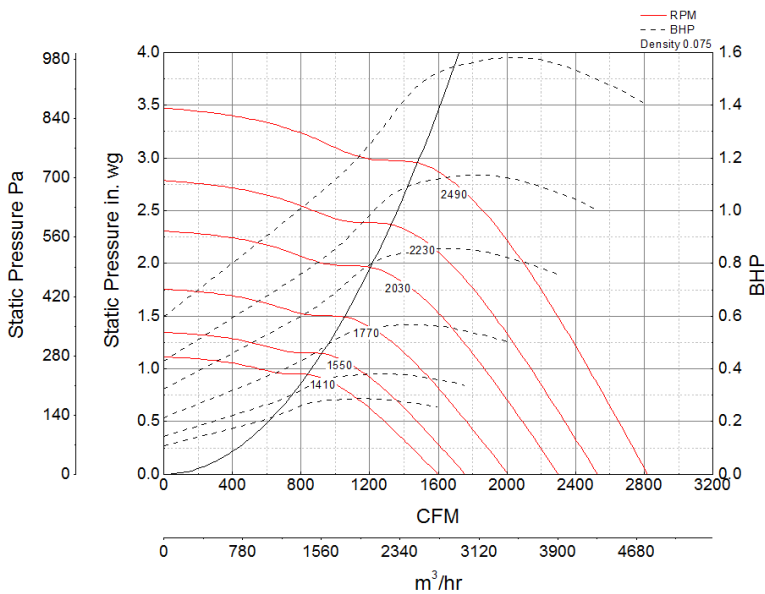


A	B	C	D	E
19 in	21 in	19 in	15.875 in	12.5 in

Certifications

AMCA Sound & Air
UL/cUL 705

Performance Characteristics



Note: The maximum FRPM for each motor horsepower is shown. For additional performance ranges available for this fan, refer to the performance table.

Construction Features

Drive Type	Belt Drive
Impeller Type	Centrifugal Wheel
Impeller Material	Aluminum
Housing Material	Galvanized Steel
Includes	Motor cover
Max Inlet Temp	160 °F
Certifications	AMCA Sound & Air UL/cUL 705
Drive Package Description	No drive package included

Motor Information

Motor Included	No
----------------	----

Air and Sound Performance

Motor HP	Max BHP	Max Fan RPM	Min Fan RPM	Ps (in. wg)	0	0.125	0.25	0.375	0.5	0.625	0.75	0.875	1	1.25	1.5	1.75	2	2.25	2.5	2.75			
1/4	0.08	910	790	CFM	1,031	913	785	595	-	-	-	-	-	-	-	-	-	-	-	-	-		
				Sone _s	7.4	7.3	7.2	6.9	-	-	-	-	-	-	-	-	-	-	-	-	-	-	-
1/4	0.15	1130	910	CFM	1,281	1,186	1,089	985	859	-	-	-	-	-	-	-	-	-	-	-	-	-	
				Sone _s	8.6	8.6	8.7	8.6	8.3	-	-	-	-	-	-	-	-	-	-	-	-	-	-
1/4	0.29	1410	1130	CFM	1,598	1,523	1,446	1,368	1,286	1,197	1,099	964	-	-	-	-	-	-	-	-	-	-	
				Sone _s	11.7	11.5	11.5	11.1	10.8	10.6	10.3	9.8	-	-	-	-	-	-	-	-	-	-	-
1/3	0.10	1000	940	CFM	1,133	1,026	914	783	-	-	-	-	-	-	-	-	-	-	-	-	-	-	
				Sone _s	7.8	7.8	7.8	7.6	-	-	-	-	-	-	-	-	-	-	-	-	-	-	-
1/3	0.19	1240	1000	CFM	1,405	1,319	1,231	1,140	1,039	917	-	-	-	-	-	-	-	-	-	-	-	-	
				Sone _s	9.6	9.4	9.5	9.5	9.3	9	-	-	-	-	-	-	-	-	-	-	-	-	-
1/3	0.38	1550	1240	CFM	1,757	1,688	1,619	1,548	1,477	1,401	1,320	1,233	1,125	-	-	-	-	-	-	-	-	-	
				Sone _s	13.4	13.1	13.2	12.7	12.2	12	11.6	11.4	10.8	-	-	-	-	-	-	-	-	-	-
1/2	0.15	1140	1060	CFM	1,292	1,198	1,102	1,000	877	-	-	-	-	-	-	-	-	-	-	-	-	-	
				Sone _s	8.7	8.6	8.7	8.7	8.4	-	-	-	-	-	-	-	-	-	-	-	-	-	-
1/2	0.29	1420	1140	CFM	1,609	1,534	1,458	1,381	1,300	1,213	1,118	992	-	-	-	-	-	-	-	-	-	-	
				Sone _s	11.8	11.6	11.6	11.2	10.9	10.6	10.4	9.9	-	-	-	-	-	-	-	-	-	-	-
1/2	0.57	1770	1420	CFM	2,006	1,946	1,886	1,824	1,762	1,700	1,635	1,568	1,494	1,327	-	-	-	-	-	-	-	-	
				Sone _s	16.6	15.9	16.8	16.2	15.4	14.7	14.5	14.3	14.1	13.3	-	-	-	-	-	-	-	-	-
3/4	0.44	1630	1340	CFM	1,847	1,782	1,716	1,649	1,582	1,512	1,439	1,358	1,273	997	-	-	-	-	-	-	-	-	
				Sone _s	14.5	14.1	14.3	13.9	13.3	13	12.7	12.4	12	10.6	-	-	-	-	-	-	-	-	-
3/4	0.86	2030	1630	CFM	2,301	2,248	2,196	2,143	2,089	2,035	1,981	1,927	1,869	1,748	1,615	1,449	-	-	-	-	-	-	-
				Sone _s	21	20	20	20	19.4	18.8	18.4	18.4	18	17.2	16.8	15.7	-	-	-	-	-	-	-
1	0.59	1790	1500	CFM	2,029	1,969	1,910	1,849	1,788	1,726	1,662	1,596	1,524	1,364	1,105	-	-	-	-	-	-	-	-
				Sone _s	16.9	16.2	17	16.5	15.7	15.1	14.8	14.6	14.3	13.7	12	-	-	-	-	-	-	-	-
1	1.13	2230	1790	CFM	2,527	2,480	2,432	2,384	2,335	2,287	2,238	2,188	2,139	2,034	1,924	1,804	1,662	1,459	-	-	-	-	
				Sone _s	24	24	24	24	23	22	22	22	22	21	20	19.6	18.7	17.5	-	-	-	-	
1 1/2	0.80	1990	1830	CFM	2,255	2,202	2,148	2,094	2,040	1,984	1,929	1,873	1,813	1,687	1,547	1,352	-	-	-	-	-	-	
				Sone _s	19.9	19.4	19.5	19.4	18.8	18.2	17.9	17.7	17.4	16.6	16	14.8	-	-	-	-	-	-	
1 1/2	1.58	2490	1990	CFM	2,822	2,779	2,737	2,694	2,651	2,607	2,563	2,520	2,475	2,387	2,294	2,198	2,093	1,984	1,852	1,682	-	-	
				Sone _s	31	31	30	30	29	28	27	27	26	28	26	25	24	23	23	22	-	-	



- Greenheck Fan Corporation certifies that the model shown herein is licensed to bear the AMCA Seal. The ratings shown are based on tests and procedures performed in accordance with AMCA Publication 211 and AMCA Publication 311 and comply with the requirements of the AMCA Certified Ratings Program.
- Performance certified is for installation type B: Free inlet, Ducted outlet.
- Power rating (BHP/kW) includes transmission losses.
- Performance ratings do not include the effects of appurtenances (accessories).
- The inlet sound ratings shown are loudness values in fan sones at 5 ft. (1.5 m) in a hemispherical free field calculated per AMCA Standard 301. Values shown are for installation type B: free inlet hemispherical sone levels.

California Residents

WARNING

This product can expose you to chemicals including cadmium used in the processing of corrosion resistant metal and fasteners, which is known to the State of California to cause cancer and birth defects or other reproductive harm. For more information visit www.P65Warnings.ca.gov